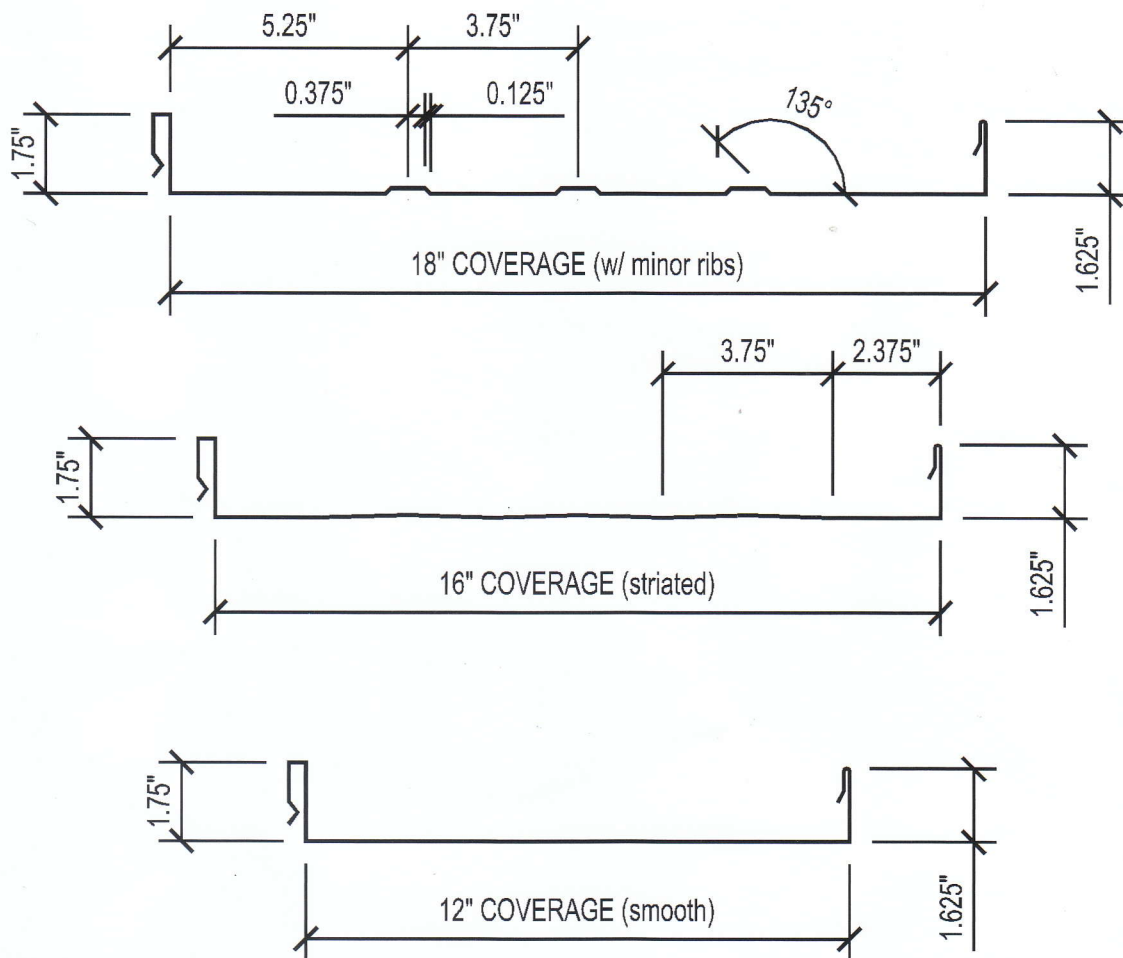


BUILD BETTER

BORGA

STEEL BUILDINGS & COMPONENTS

VERTICAL LOCK - Product Data Sheet



PANEL OPTIONS

Panel widths:	18"; 12" and 16" available upon request
Panel configurations:	Smooth, Striated or Minor Ribs. Factory notching available
Panel lengths:	Up to 45 ft. Please inquire for longer lengths
Roof slope:	Minimum 3:12 (recommended)
Gauge:	22, 24 or 26
Substrate:	Galvalume® or Galvanized steel
Paint system:	SMP or Kynar® 500/Hylar 5000®

Oil canning is a natural occurrence in metal panels and is not cause for panel rejection. Prior to ordering and installing roofing panels, always check local building code requirements for additional restrictions that may apply to your project. If necessary, consult a design professional for assistance.

Borga, Inc. 1/2008 Subject to change without notice

Office phone (559) 834-5375 - Office fax (559) 834-1406
300 West Peach St. - P.O. Box 35 - Fowler, CA 93625
www.borgasteel.com